

WALL MOUNTED SPLIT AIR CONDITIONERS

**KEYON SERIES**

MODEL			SIH+SOH-09BIK	SIH+SOH-12BIK	SIH+SOH-18BIK	SIH+SOH-24BIK		
Capacity cooling/heating 1)	Nominal (min-max)	kW	2,7 (0,6-3,4) / 2,8 (0,6-3,7)	3,2 (0,9-3,7) / 3,4 (0,9-4,1)	4,6 (1,0-5,3) / 5,2 (1,0-5,65)	6,2 (1,8-6,4) / 6,5 (1,6-6,6)		
Power supply		Hz / V	1~ / 50 / 220-240	1~ / 50 / 220-240	1~ / 50 / 220-240	1~ / 50 / 220-240		
Power supply		-	outdoor	outdoor	outdoor	outdoor		
Power input cooling/heating 1)		W	735 / 695	991 / 916	1355 / 1340	1771 / 1646		
Maximal power input 2)		W	1500	1500	1900	2200		
Power current cooling/heating		A	3,5 / 3,3	4,4 / 4,0	5,9 / 5,8	7,9 / 7,3		
Maximal power current 2)		A	7,5	7,5	9,0	10,0		
Energy class cooling 3)		-	A++	A++	A++	A++		
Pdesign cooling		kW	2,7	3,2	4,6	6,2		
SEER		-	6,6	6,5	6,4	6,8		
Annual power consumption cooling		kWh / annum	143	172	251	319		
Energy class heating 3)	Aver./Warm./Cool.	-	A++ / A+++ / B	A++ / A+++ / -	A++ / A+++ / -	A++ / A+++ / -		
Pdesign heating	Average climate	kW	2,5	2,7	3,7	4,7		
SCOP	Average climate	-	4,2	4,1	4,0	4,0		
Annual power consumption heating	Average climate	kWh / annum	833	922	1295	1645		
Airflow of ID	SH/H/M/L	m³ / h	550 / 500 / 430 / 290	680 / 560 / 450 / 390	850 / 750 / 650 / 550	1100 / 950 / 750 / 650		
Airflow of OD	H	m³ / h	1950	1950	1950	2800		
Sound pressure level of ID at 1m 4)	SH/H/M/L	dB(A)	40 / 38 / 34 / 23	41 / 36 / 32 / 23	48 / 41 / 37 / 31	48 / 44 / 40 / 35		
Sound pressure level of OD at 1m 4)	H	dB(A)	51	52	53	58		
Sound power of ID 4)	SH/H/M/L	dB(A)	55 / 48 / 44 / 36	57 / 46 / 42 / 37	58 / 51 / 47 / 34	61 / 58 / 53 / 49		
Sound power of OD 4)	H	dB(A)	62	64	63	67		
Dehumidifying volume		l / h	1,4	1,4	1,8	1,8		
Refrigerant type/charge		Type / kg / t eq. CO <sub>2</sub>	R32 / 0,53 / 0,36	R32 / 0,57 / 0,38	R32 / 0,75 / 0,51	R32 / 1,30 / 0,88		
Additional refrigerant		g / m	16	16	16	16		
Pipe diameter - liquid side 5)		inch / mm	¼ / 6,0	¼ / 6,0	¼ / 6,0	¼ / 6,0		
Pipe diameter - gas side 5)		inch / mm	¾ / 9,5	¾ / 9,5	¾ / 9,5	¾ / 12,0		
Max pipe length without additional refrigerant 6)		m	5	5	5	5		
Allowed pipe length 7)	min./max.	m	3 / 15	3 / 15	3 / 25	3 / 25		
Max. elevation/ Drop height		m	10	10	10	10		
Dimension of ID	w x h x d	mm	770 x 251 x 190	849 x 289 x 215	972 x 300 x 225	1081 x 325 x 248		
Dimensions of OD	w x h x d	mm	732 x 550 x 330	732 x 550 x 330	732 x 550 x 330	873 x 555 x 376		
Package dimension of ID	w x h x d	mm	822 x 324 x 262	902 x 357 x 279	1022 x 374 x 299	1137 x 407 x 334		
Package dimensions of OD	w x h x d	mm	792 x 615 x 393	792 x 615 x 393	794 x 615 x 376	951 x 620 x 431		
Weight of ID	net / gross	kg	8,5 / 10,0	10,5 / 12,5	13,5 / 16,0	16,5 / 19,5		
Weight of OD	net / gross	kg	25 / 27,5	25 / 27,5	26,5 / 29	36,5 / 39,5		
Set temperature range		°C	16 ~ 30	16 ~ 30	16 ~ 30	16 ~ 30		
Operating temperature range cooling 8)		°C	-15 ~ 43	-15 ~ 43	-15 ~ 43	-15 ~ 43		
Operating temperature range heating 8)		°C	-15 ~ 24	-15 ~ 24	-15 ~ 24	-15 ~ 24		
<b>ADDITIONAL TECHNICAL INFORMATION</b>								
Screw holes distance of OD	w x d	mm	455 x 310			528 x 348,6		
Communication cable		mm <sup>2</sup>	4 x 0,75 (5m included)					
Recommended power cable		mm <sup>2</sup>	3x1,5	3x1,5	3x1,5	3x1,5		
Recommended air switch		A	13	13	13	13		
<b>EQUIPMENT</b>								
Plasma generator	indoor		✓	✓	✓	✓		
Wifi module			✓	✓	✓	✓		
Drain pump			-	-	-	-		
Max. lift (from bottom of ID unit)		mm	-	-	-	-		
Dry contact (ON/OFF)			-	✓	✓	✓		
Alarm contact			-	-	-	-		
Left-right guide louvres			-	-	-	-		
Throttling method	outdoor		Capillary	Capillary	Capillary	Capillary		
Bottom chassis heater			-	-	-	-		
Crankcase heater			Preheating	Preheating	Preheating	Preheating		
Bottom plugs for OD			-	-	-	-		
Drain pipe connector			-	-	✓	✓		
<b>STANDARD ACCESSORIES</b>								
Standard health filter			SAF-OPWC4, SAF-OPWA4					
Remote controller (IR)			YAA1FB6 (wifi)	YAA1FB6 (wifi)	YAA1FB6 (wifi)	YAA1FB6 (wifi)		
Wired controller			-	-	-	-		
<b>OPTIONAL ACCESSORIES</b>								
Optional health filters			SAF-OPWB4, SAF-OPWK4, SAF-OPWM4, SAF-OPWP4, SAF-OPWS4					
Wired controller			-	SWC-02, XK19				
Central controller			-	SCC-16, SCC-36				
Other			G2S, G2S-T, SAI-01	G2S, G2S-T, SAI-01, SBG-01	G2S, G2S-T, SAI-01, SBG-01	G2S, G2S-T, SAI-01, SBG-01		

The specification of products is subject to change based on further development of the units by the producer and can be changed without prior notice. Refer to rating label.

R32 (single component refrigerant HFC), GWP of refrigerant used: 675.

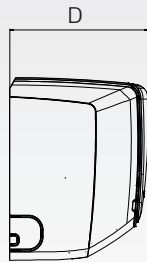
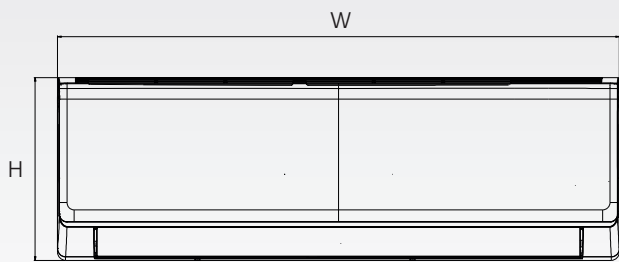
Contains fluorinated greenhouse gases covered by the Kyoto Protocol.

Explanatory notes on the very last page of the catalogue.

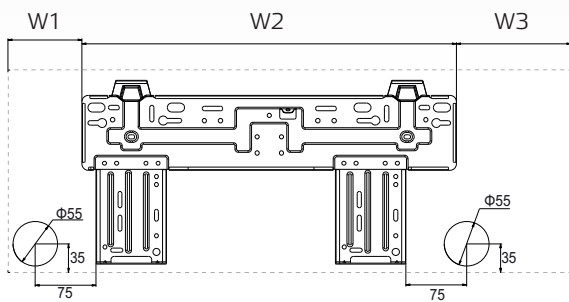
The device is being sold as a set (indoor + outdoor unit).

# APPEARANCE AND DIMENSIONS OF INDOOR UNIT

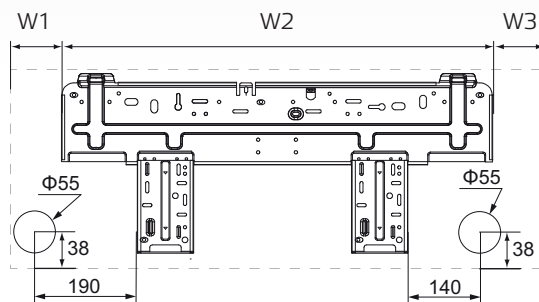
## KEYON PLUS SERIES



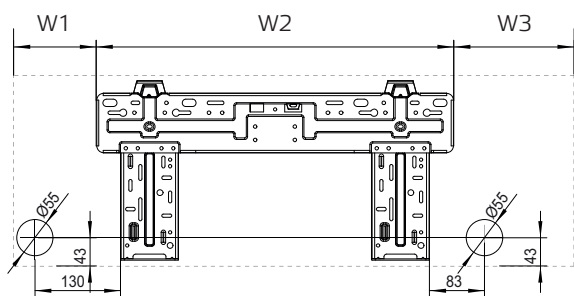
SIH-09BIK



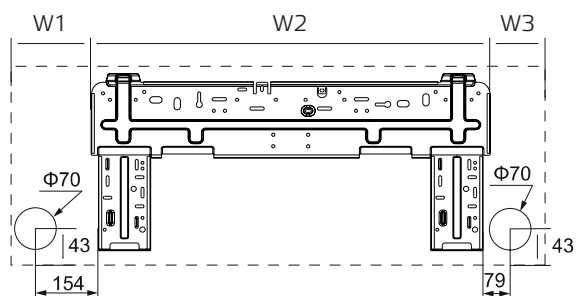
SIH-18BIK



SIH-12BIK



SIH-24BIK



Model	W	H	D	W1	W2	W3
SIH-09BIK	770	251	190	129.5	462	178.5
SIH-12BIK	849	289	215	125	542	182
SIH-18BIK	972	300	225	105	685	182
SIH-24BIK	1081	325	248	207	685	189

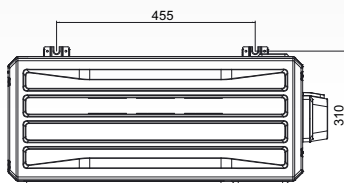
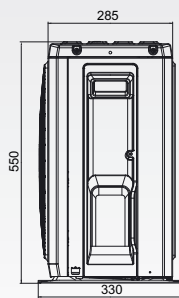
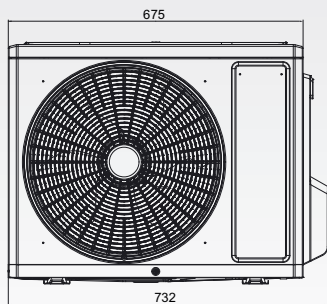
units: mm

APPEARANCE AND DIMENSIONS OF OUTDOOR UNIT

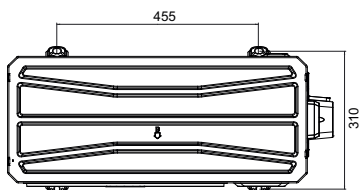
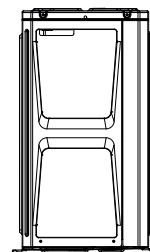
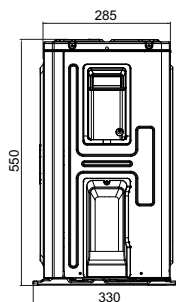
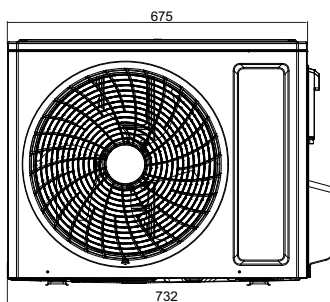
**KEYON PLUS SERIES**

SOH-09BIK

SOH-12BIK



SOH-18BIK



SOH-24BIK

